



PLUSMEDICS

GLOBAL IVD LEADER



BIOTECH FOR A BETTER LIFE

# SARS-CoV-2 & Influenza A/B & RSV & ADV Antigen Combo Rapid Test Kit (Lateral Chromatography)



BIOANTIBODY

Plusmedics Supplies Sdn Bhd (1466360-P)

Website: www.plusmedics.health

Tel: +604 - 4121 292/+6012-5661230

E-mail: kiru@plusmedics.health

Address: Unit 18-16-H, Gurney Tower, Persiaran Gurney, 10250 Pulau Pinang, Malaysia.,

## CLINICAL SIGNIFICANCE

Although patients infected with SARS-CoV-2, influenza A and B, RSV and ADV have similar clinical symptoms, these viruses are treated and managed differently. SARS-CoV-2 & Influenza A/B & RSV & ADV Antigen Combo Rapid Test Kit (Lateral Chromatography) is based on Lateral Chromatography to detect and differentiate SARS-CoV-2, influenza A, influenza B, RSV and ADV.



## Intended Use

SARS-CoV-2 & Influenza A/B & RSV & ADV Antigen Combo Rapid Test Kit (Lateral Chromatography) is suitable for qualitative detection of SARS-CoV-2 virus antigen, influenza A virus antigen, influenza B virus antigen, respiratory syncytial virus and Adenovirus antigen in human nasopharyngeal swab samples.

FOR IN VITRO DIAGNOSTIC ONLY. For professional use only.



## Key Features



### Convenient

Simultaneous detection of SARS-CoV-2, Influenza A/B, RSV and ADV in nasopharyngeal swabs by one-tube



### Fast

read the result between 15-20 mins



### Easy to use

simple steps without equipment



### Economic

room temperature storage

## Test Procedures

1



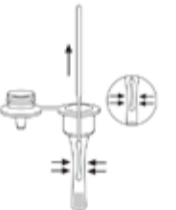
Collect nasopharyngeal swab samples, according to the method of sample collection.

2



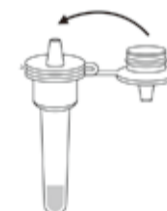
Insert the swab into an extraction buffer tube. While squeezing the buffer tube, stir the swab 5 times.

3



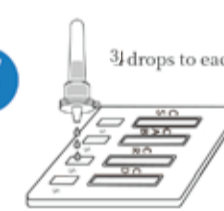
Remove the swab while squeezing the sides of the tube to extract the liquid from the swab.

4



Press the nozzle cap tightly onto the tube.

5



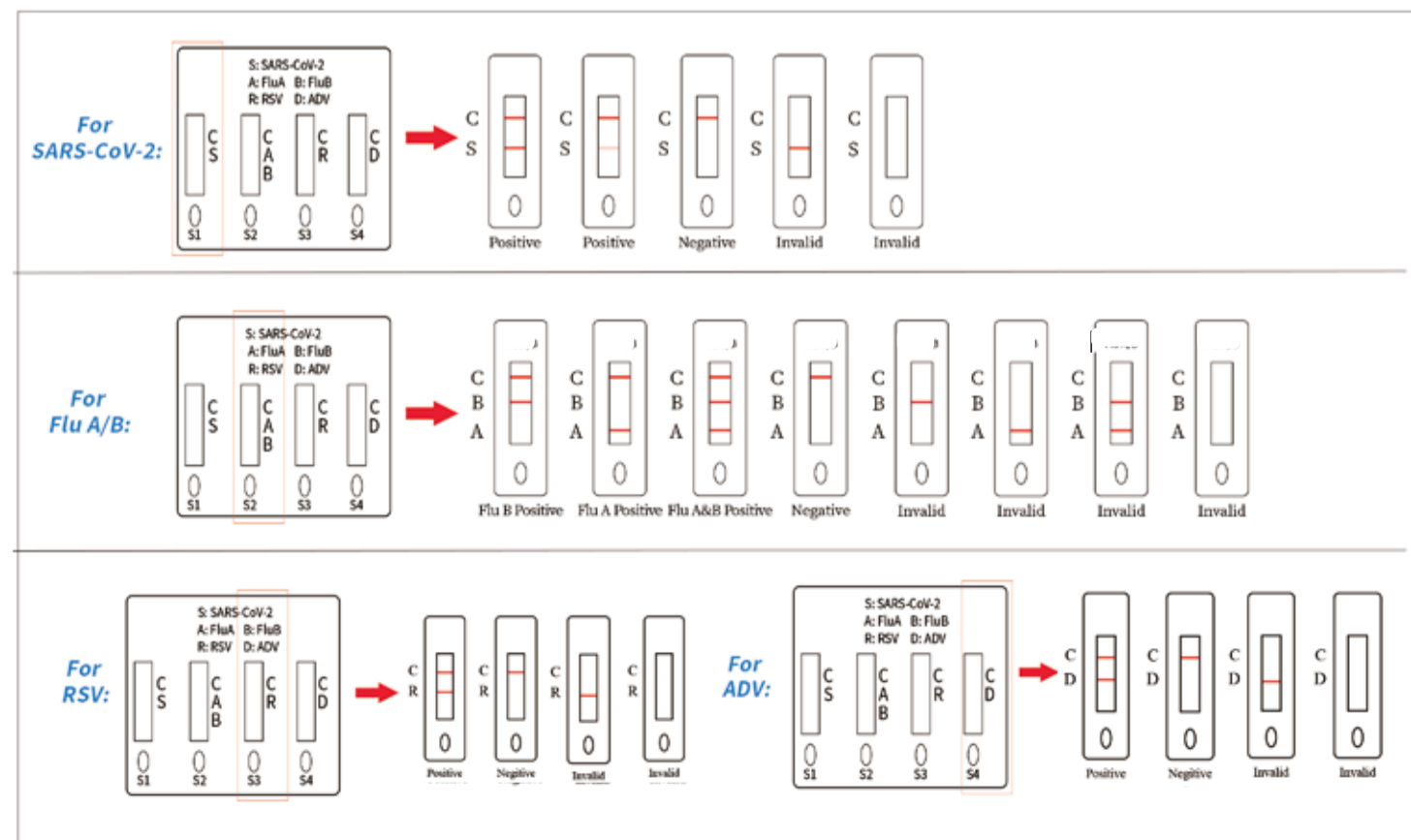
Place the test device on a flat surface, mix the sample by gently turning the tube upside down, squeeze the tube to add 3 drops (about 60-70 µL) to each sample well of the test cassette, and start counting.

6



Read the test result in 15-20 mins.

## Result Interpretation



## Order Information

Product Name	Size	Specimen	Shelf Life	Trans. & Sto. Temp.
SARS-CoV-2/Influenza A/ B&RSV&ADV Antigen Combo Rapid Test Kit (Lateral Chromatography)	1 Test/Kit	Nasopharyngeal swab	18 Months	2-30°C
	5 Test/Kit			
	25 Tests/Kit			